

GT-X1200 12" Woofer

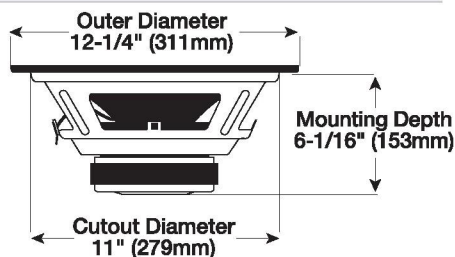
TECHNICAL DATA



SPECIFICATIONS

Diameter:	12" (300mm)
Sensitivity (2.83V@1m):	90dB
Power Handling:	300W RMS; 1200W Peak
Frequency Response:	23Hz – 450Hz
Normal Impedance:	4 ohms
Voice-Coil Diameter:	2" (51mm)

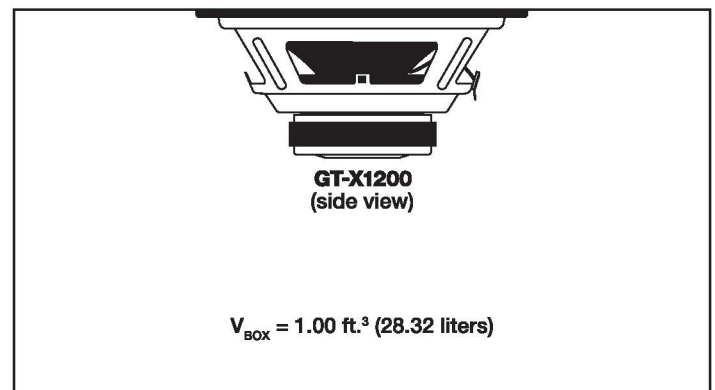
Dimensions:



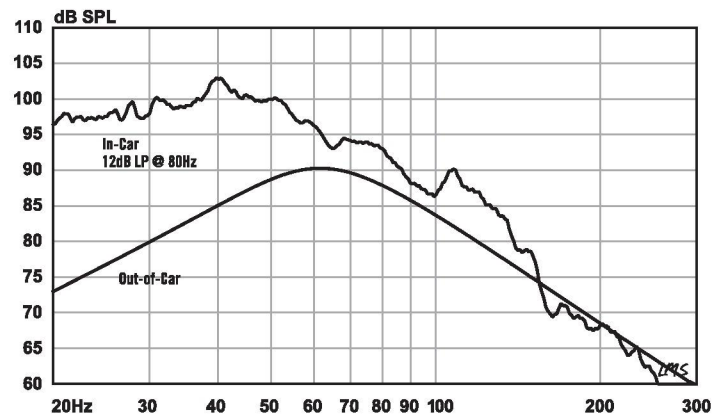
THIELE-SMALL PARAMETERS

Voice-Coil DC Resistance:	R_{EVC} (ohms)	3.6
Voice-Coil Inductance @ 1kHz:	L_{EVC} (mH)	2.57
Driver Radiating Area:	S_D (in ²) S_D (m ²)	85.4 551.00
Motor Force Factor:	B_L (Tm)	14.08
Compliance Volume:	V_{AS} (ft ³) V_{AS} (liters)	2.7 76.7
Suspension Compliance:	C_{MS} (μm/N)	177.00
Moving Mass, Air Load:	M_{MS} (grams)	179.00
Moving Mass, Diaphragm:	M_{MD} (grams)	171.00
Free-Air Resonance:	F_S (Hz)	28.00
Mechanical Q:	Q_{MS}	8.85
Electical Q:	Q_{ES}	0.57
Total Q:	Q_{TS}	0.54
Magnetic-Gap Height:	H_{AG} (in) H_{AG} (mm)	0.307 7.8
Voice-Coil Height:	H_{vc} (in) H_{vc} (mm)	1.26 32
Maximum Excursion:	X_{max} (in) X_{max} (mm)	0.48 12.1

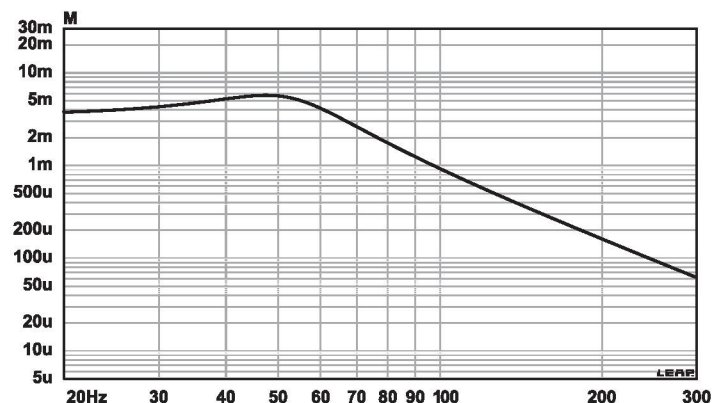
SEALED BOX VOLUME (INCLUDES DRIVER DISPLACEMENT)



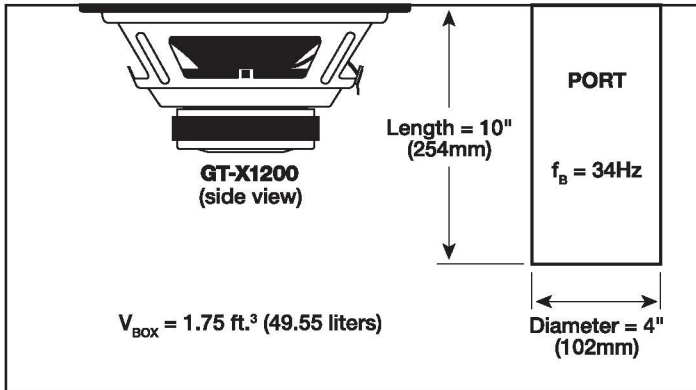
SEALED ENCLOSURE FREQUENCY RESPONSE @ 2.83V



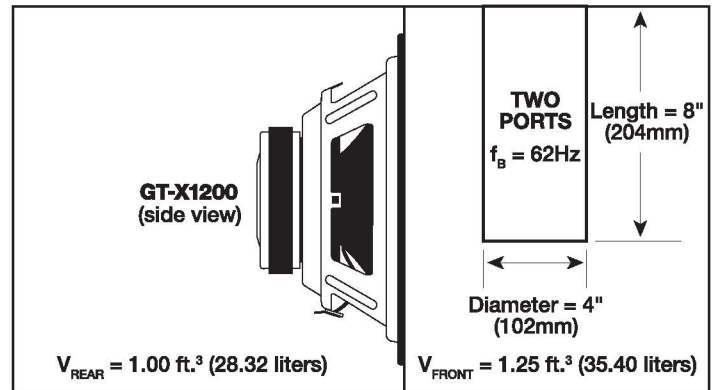
SEALED ENCLOSURE CONE EXCURSION @ 250W



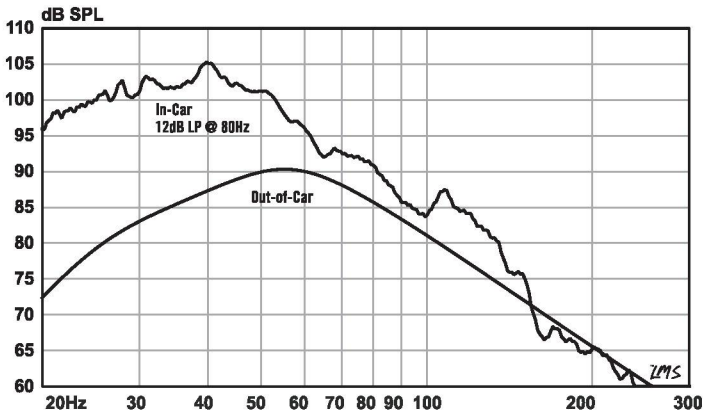
**VENTED BOX VOLUME
(INCLUDES DRIVER/PORT DISPLACEMENTS)**



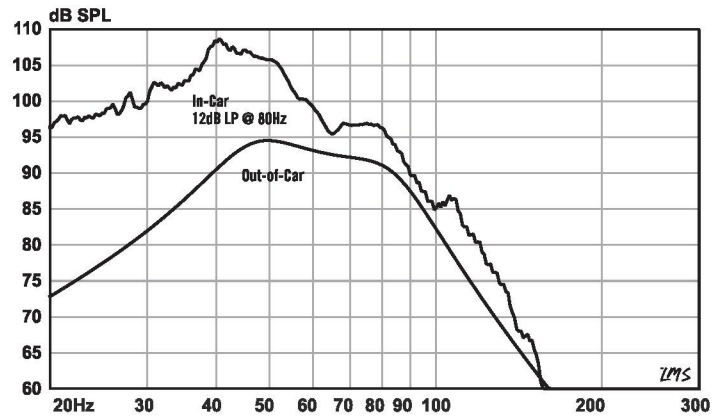
**BAND-PASS BOX VOLUME
(INCLUDES DRIVER/PORT DISPLACEMENTS)**



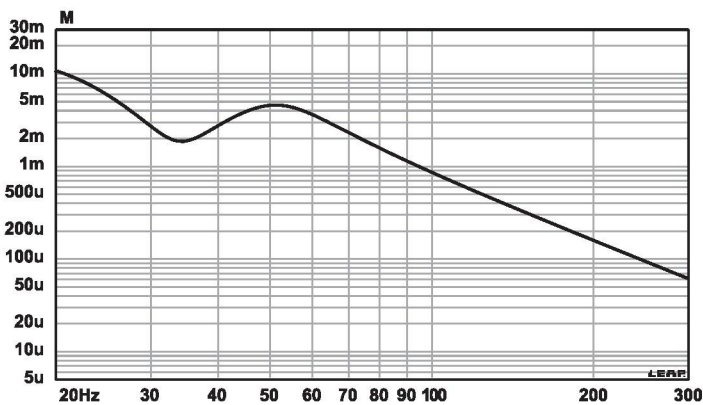
**VENTED ENCLOSURE
FREQUENCY RESPONSE @ 2.83V**



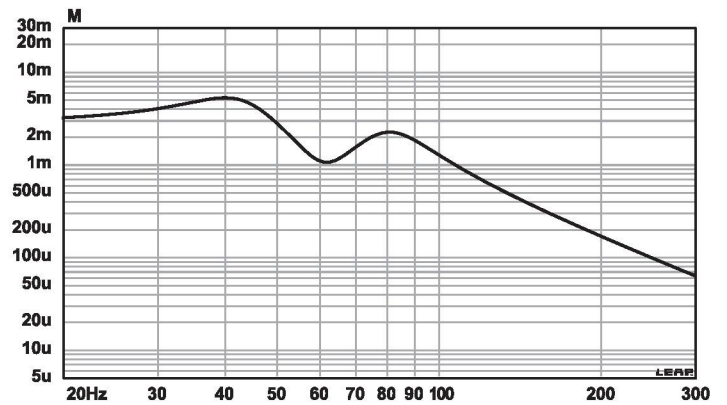
**BAND-PASS ENCLOSURE
FREQUENCY RESPONSE @ 2.83V**



**VENTED ENCLOSURE
CONE EXCURSION @ 250W**



**BAND-PASS ENCLOSURE
CONE EXCURSION @ 250W**



HARMAN HARMAN International Industries, Inc.
8500 Balboa Boulevard, Northridge, CA 91329 USA

© 2014 HARMAN International Industries, Incorporated. All rights reserved.

JBL is a trademark of HARMAN International Industries, Incorporated, registered in the United States and/or other countries.

Features, specifications and appearance are subject to change without notice.

Part No. JBLP3297 Rev. A